



30 Seconds For Full Mouth Scanning

30

MyVet Pan i2D™

Panoramic Dental X-Ray System



Medical Imaging Group



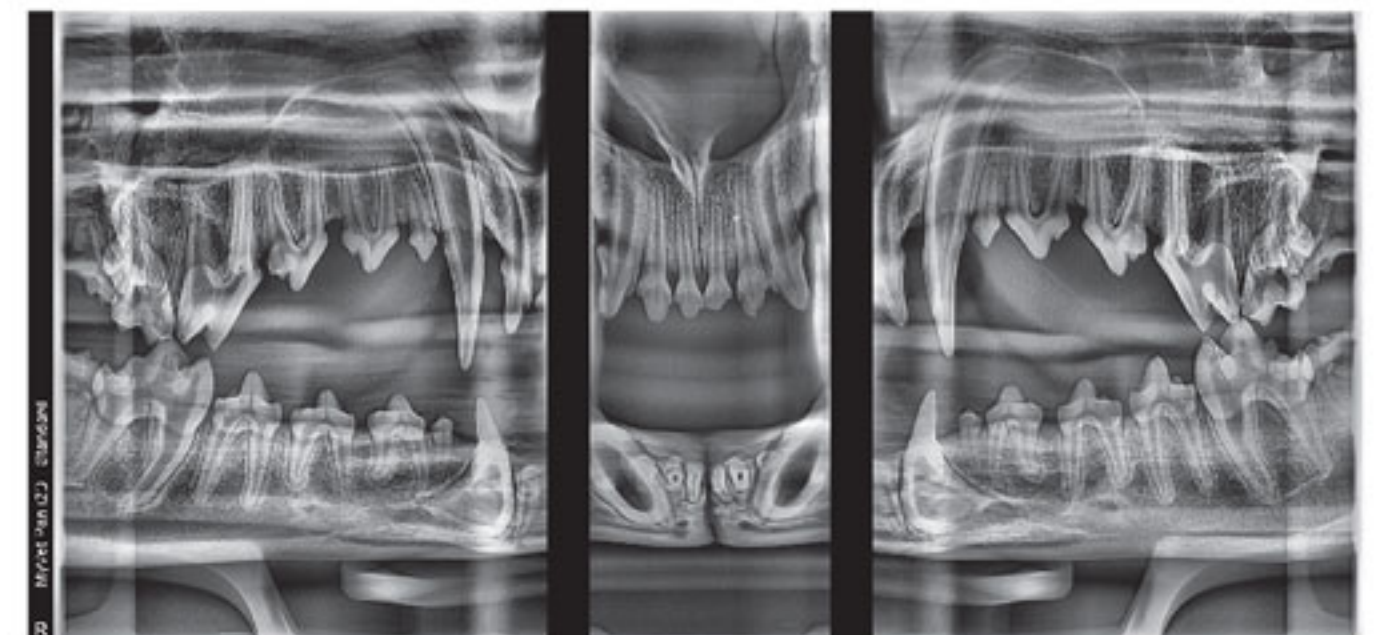
The World's First Veterinary Specialized Panoramic X-Ray System



MyVet Pan i2D

Mobile panoramic x-ray system

- Veterinary specialized full mouth scanning
- Smart scanning software preset for different jaw sizes
- Cart based mobile system (Stationary based in Ontario)
- Small animal specialized ergonomic table design
- Easy positioning with less preparation
- Low dose
- No special installation required



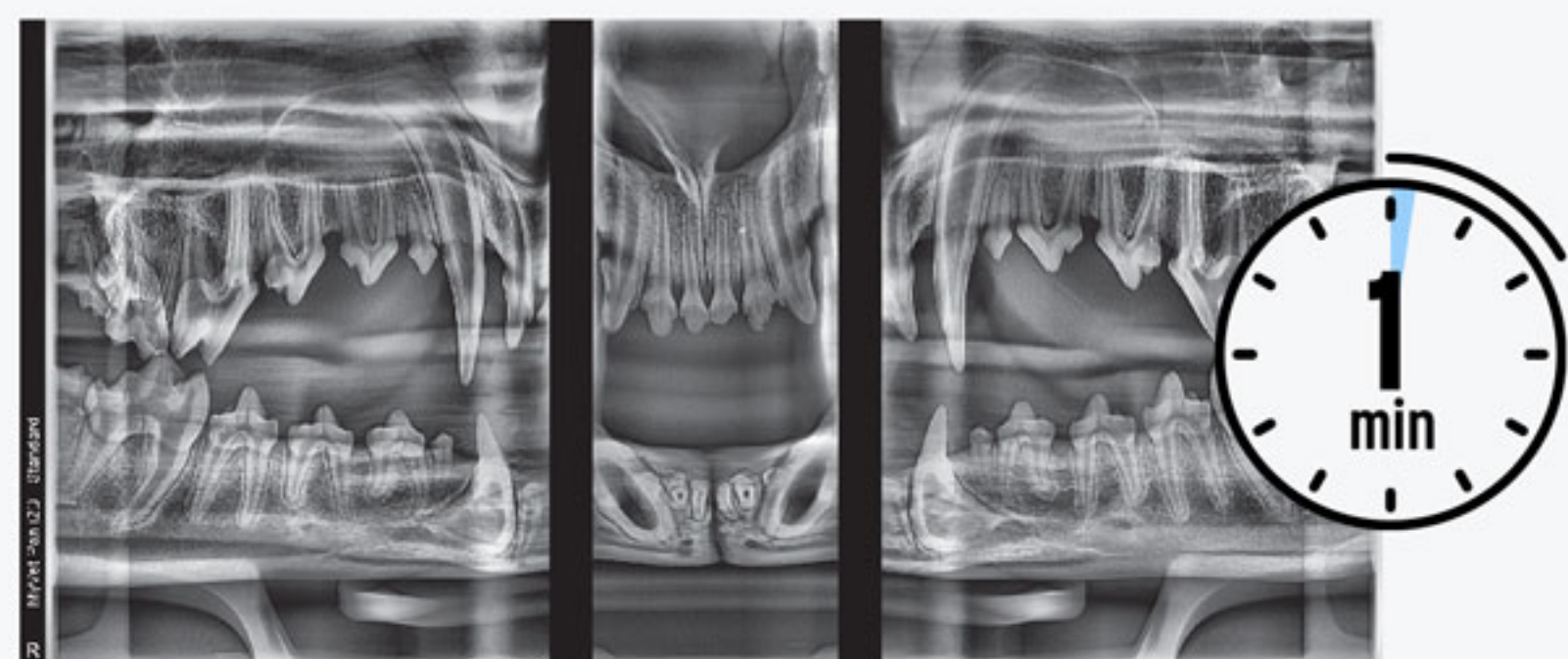
Changing the paradigm of workflow in veterinary dentistry

Small animal specific panoramic dental image processing technology

Veterinary specialized panoramic scanning technology and a smart acquisition software provide superior full mouth diagnostic images in a short time. A positioning laser light guides the practitioners to position the patient easily and quickly. The ergonomic table design delivers a comfortable workflow to practitioners by easy positioning with less preparation. Unlike other medical systems, a practitioner can use it instantly without any special installation.

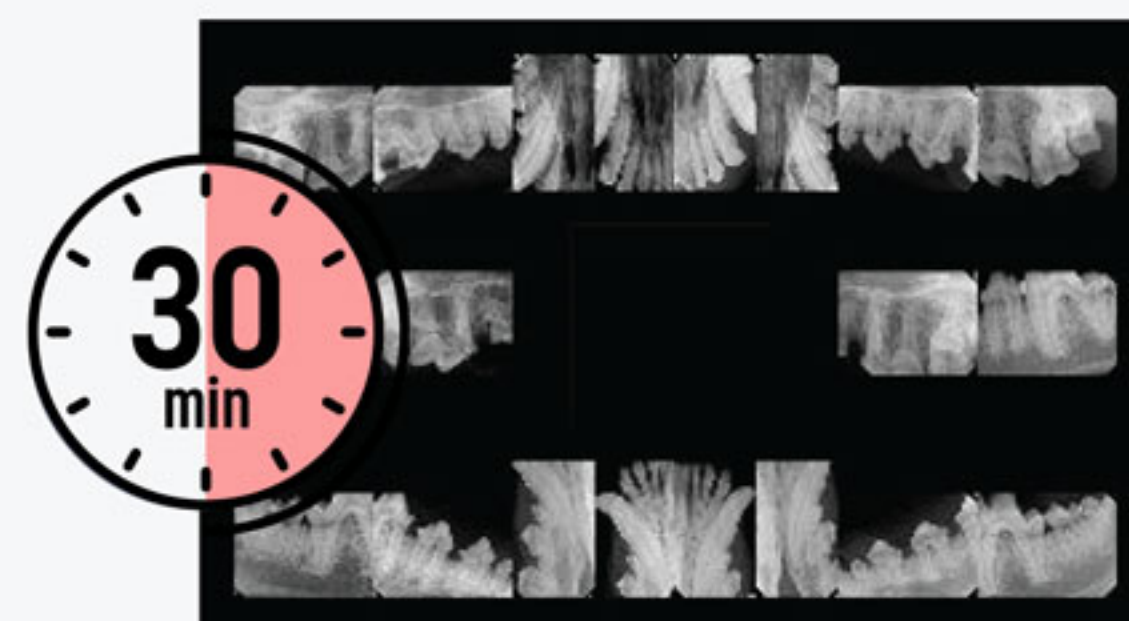
Fast, easy and more diagnostic with one study

The procedure can be done within 1 minute with mild sedation and it is over 30 times faster than traditional full mouth x-ray imaging procedure. Actual scan time is 30 seconds for full mouth. Panoramic images provide more coverage for bone defects and jaw lesions.



1 min. for whole scan with myvet Pan i2D

VS



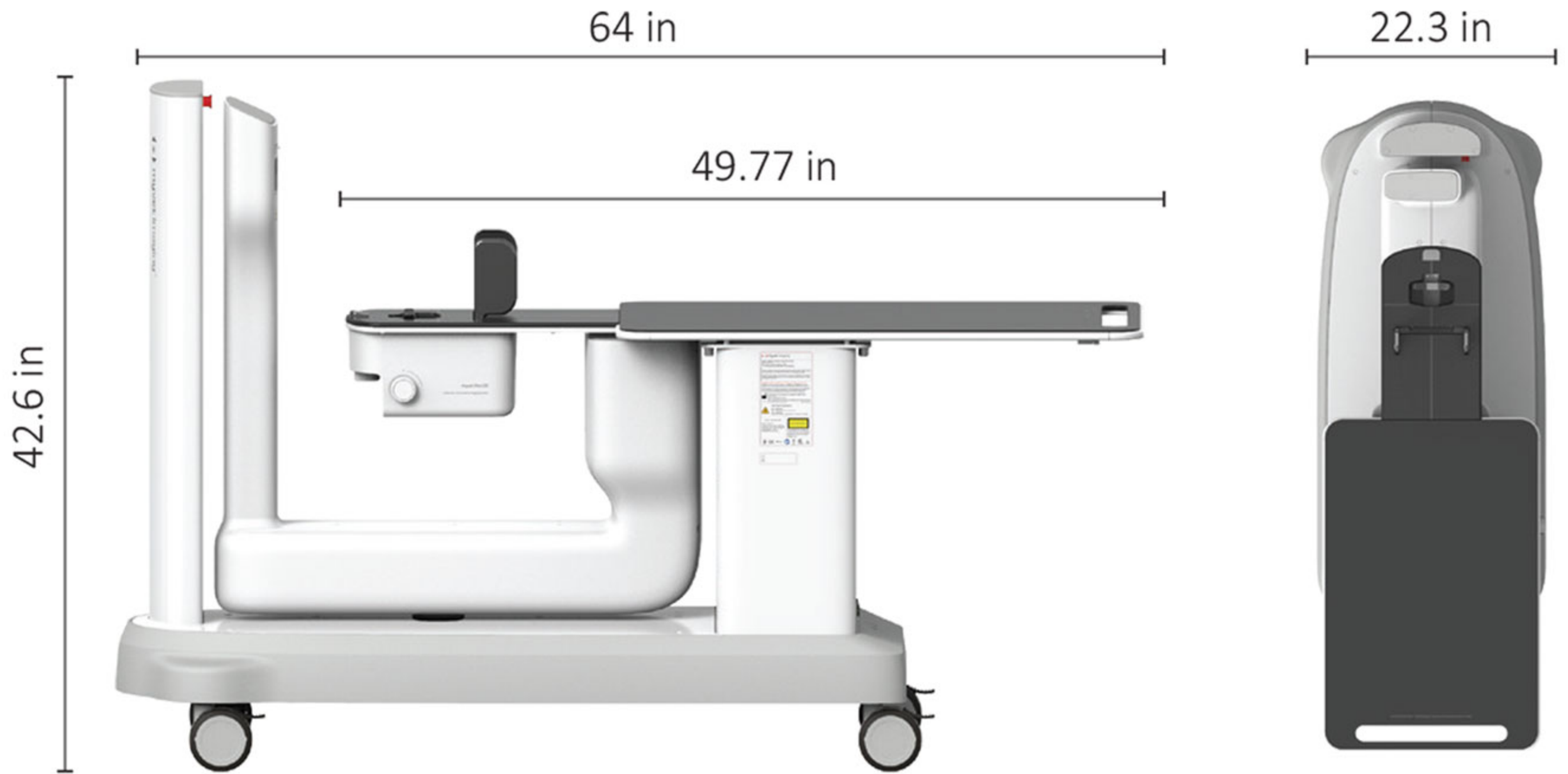
30 min. for traditional FMX

Infection prevention and control

Our panoramic system does not require any intraoral sensor that has to be wrapped by a cover at every exam. You need to simply clean the bed after using the system and it helps prevent your patient from infection and keep the clinical environment clean.



► **Specifications**



Item	Specifications
Weight	308.6 lbs
Total Height	42.6 inch
Dimensions (during operation)	64 x 22.3 x 42.6 inch

Scan the QR Code &
Check Our Website

Nuon Imaging Inc.



☎ (866) 455-3050
✉ info@nuonimaging.ca
🌐 www.nuonimaging.ca

Nikki Health Solutions Inc.



☎ (855) 500-5040
✉ info@nikki.health
🌐 www.nikki.health