

EzSensor^{Vet}

Intraoral CMOS Sensors



Medical Imaging Group



EzSensor^{Vet}

Intraoral CMOS Sensors

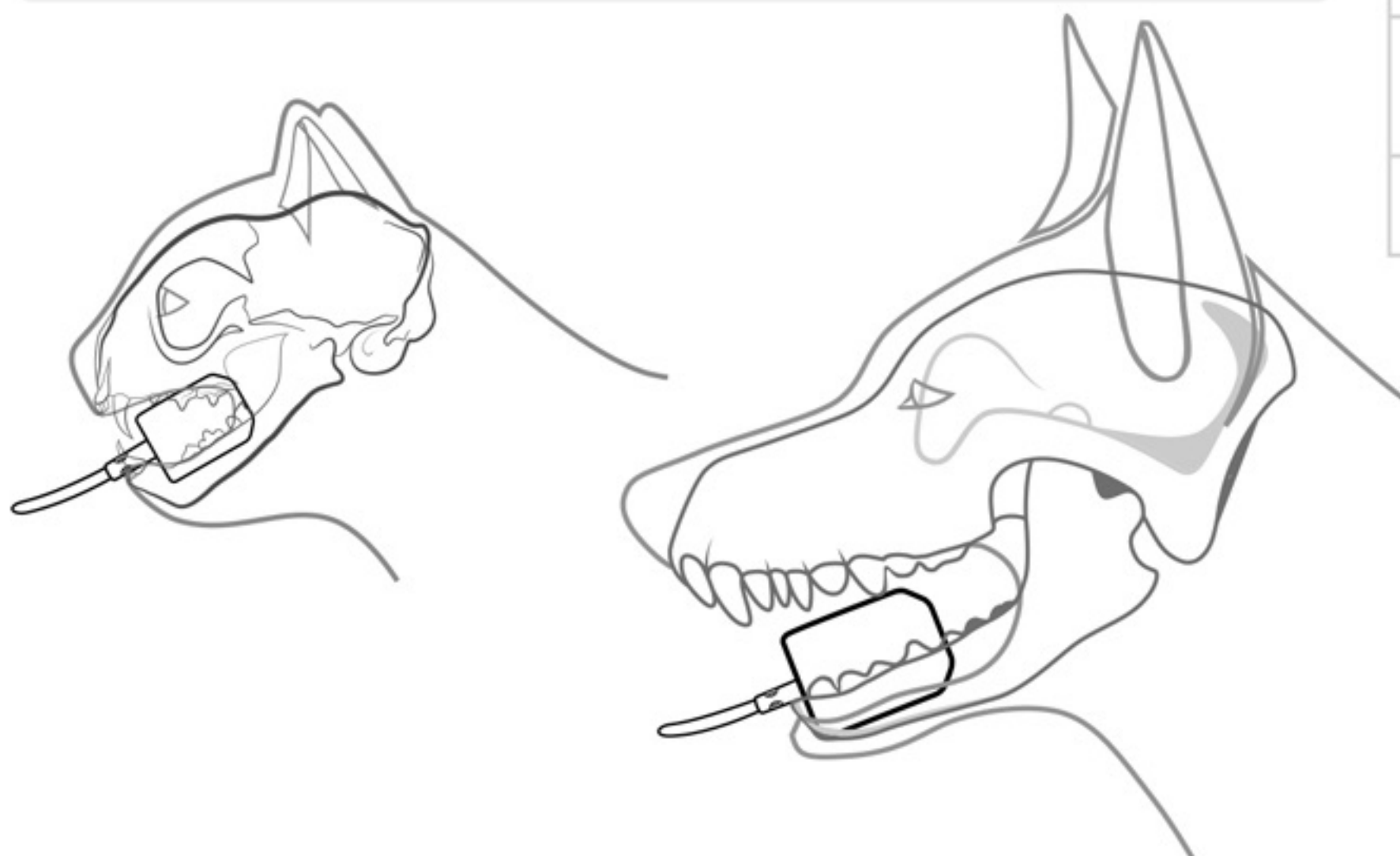
- Sizes 1.0, 1.5, 2.0 available
- Consistent image quality under a wide range of exposure conditions
- Slim design for patient comfort
- IP68 water and dust protection
- Duralumin, strong and lightweight housing material



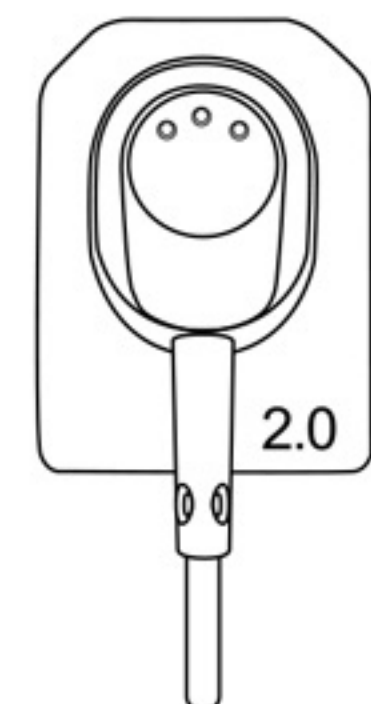
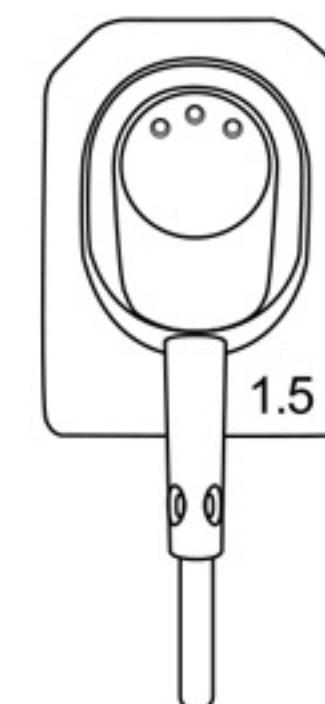
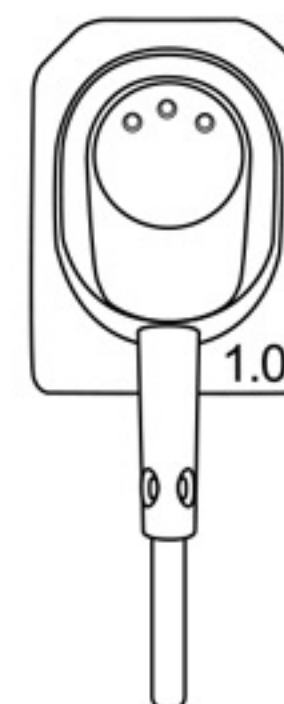
add value to your practice with Veterinary Intraoral X-Ray Imaging

► Multiple Sizes and Dimensions

EzSensor Vet series accommodates various mouth sizes to maximize optimum workflow and patient comfort



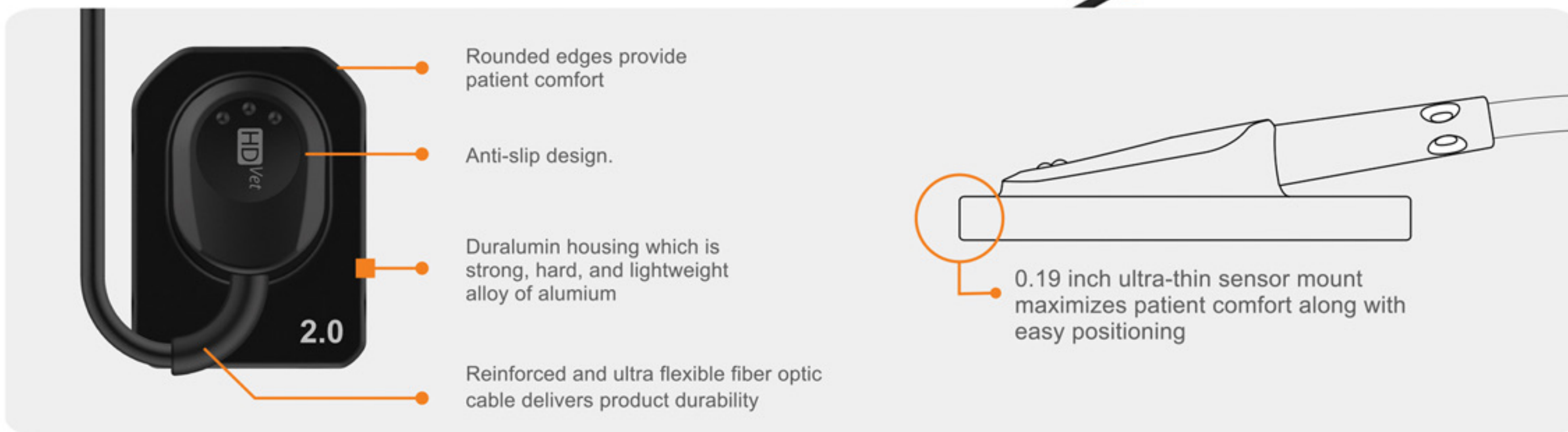
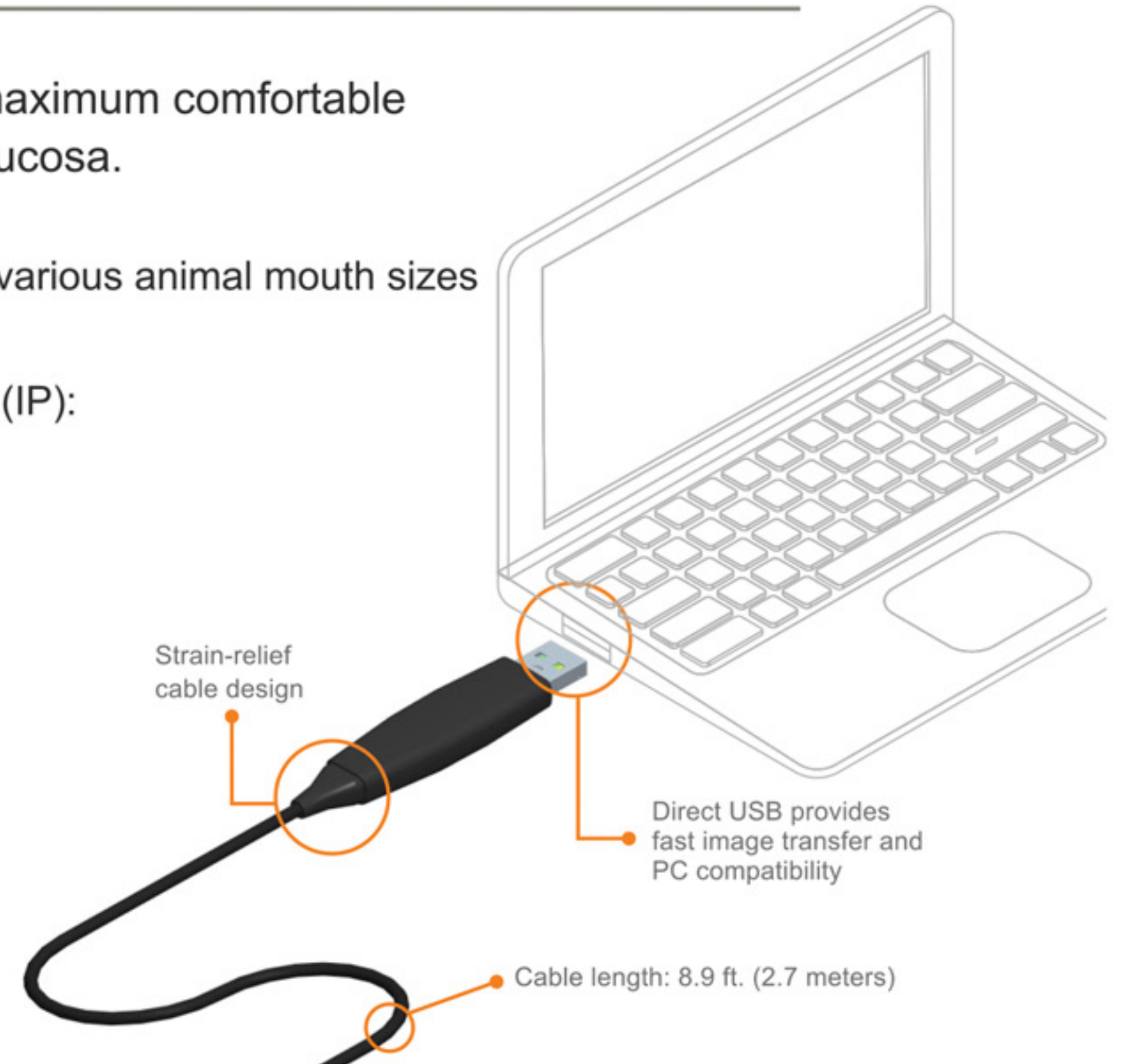
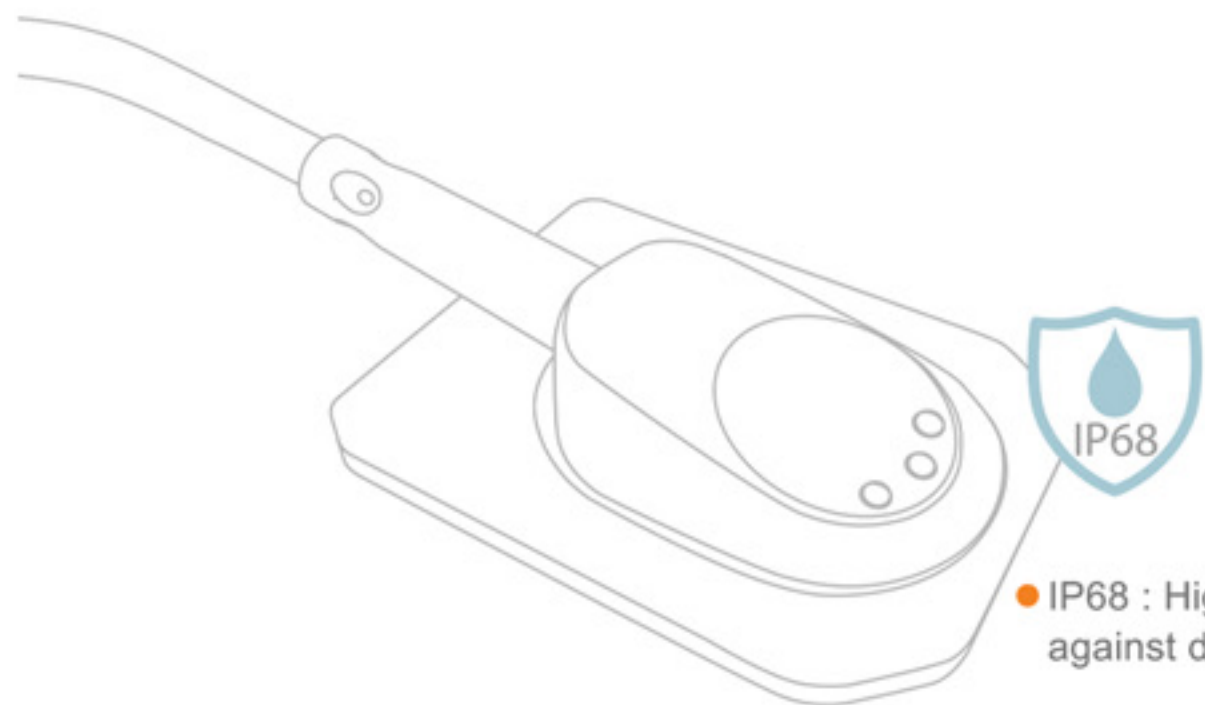
	Size 1.0	Size 1.5	Size 2.0
Active Area	0.79 x 1.81 in (20 x 30 mm)	0.94 x 1.30 in (24 x 33 mm)	1.02 x 1.42 in (26 x 36 mm)
Dimension	1 x 1.45 in (25.4 x 36.8 mm)	1.14 x 1.55 in (29.2 x 39.5 mm)	1.23 x 1.69 in (31.3 x 42.9 mm)
Thickness	0.19 in (4.8 mm)	0.19 in (4.8 mm)	0.19 in (4.8 mm)



► Slim Design and Optimum Workflow

Rounded corner design with 0.19 inch slim design provides maximum comfortable placement against soft tissue by reducing pressure on oral mucosa.

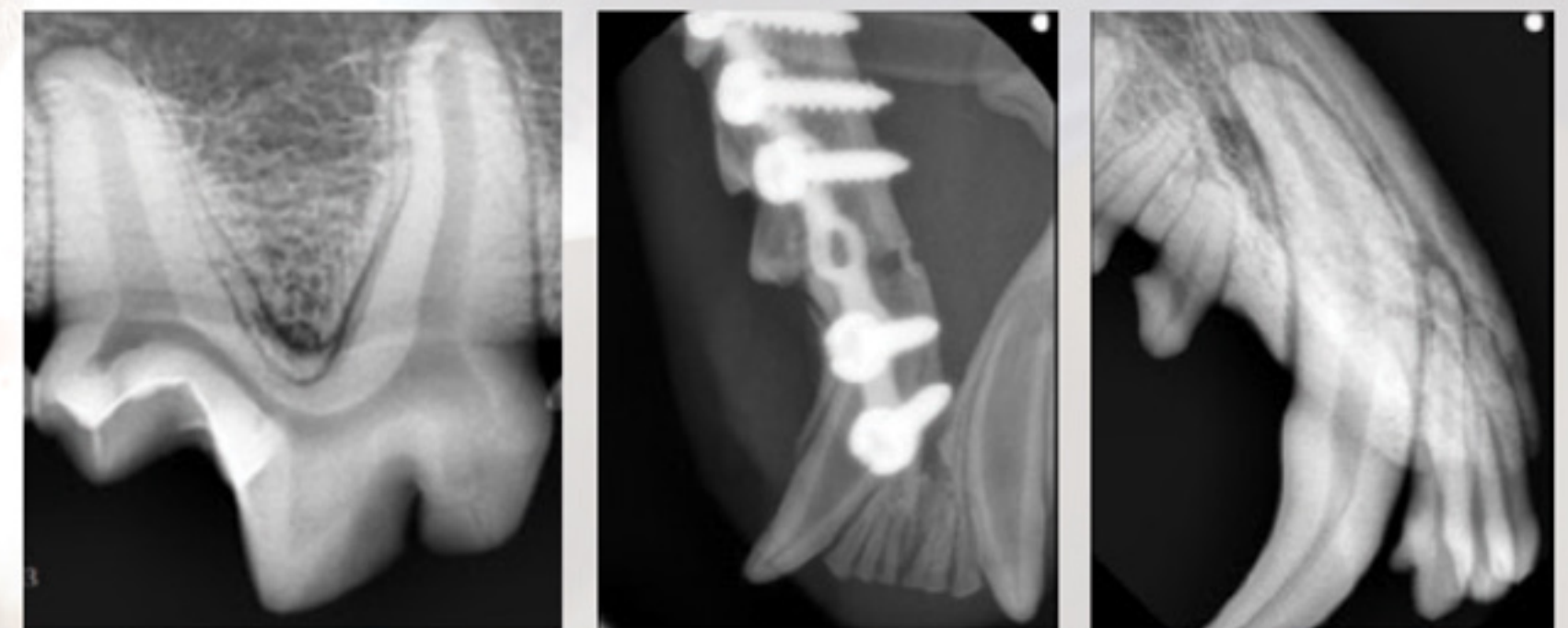
- Three sizes of ergonomically designed sensors meet the needs of various animal mouth sizes
- Direct USB connector enables fast image transfer
- EzSensor Vet rated at IP68, the highest level of Ingress Protection (IP):
Complete protection against dust and water



► Obtain High Quality Diagnostic Images

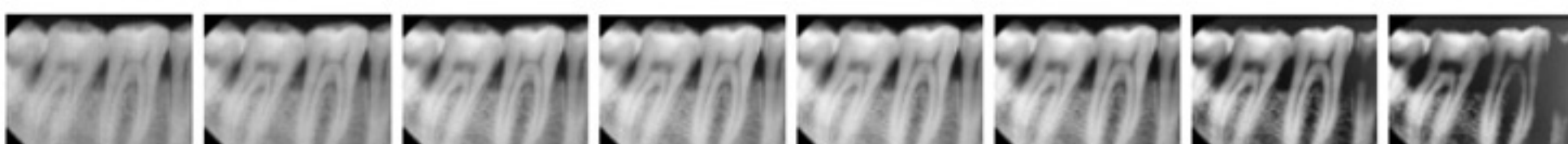
Using hybrid CMOS technology, EzSensor Vet series provide sharp, high quality images. The high-resolution technology combined with noise and artifact suppression provides clear and consistent precise diagnosis.

User friendly image acquisition software quickly produces high quality diagnostic images.



Ionizing radiation dose (mGy) and exposure (sec) comparison chart

(mGy)	0.020	0.040	0.100	0.200	0.400	0.800	1.600	2.000
(sec)	0.006	0.013	0.032	0.060	0.130	0.250	0.510	0.630



Exposure Condition: 65kVp, 6mA, 11 in SID

EzSensor Vet intraoral detectors provide maximum image quality using highly sensitive CMOS technology across a wide exposure range.”

The EzSensor Vet provides high quality images for accurate diagnosis and treatment planning.

▶ MyVet Dent | Intraoral Diagnostic Acquisition Software



- Image acquisition software delivers advanced processing that seamlessly integrates into any clinical workflow.
- Easy-to-read user interface reduces eye strain.
- Intuitive GUI image acquisition software helps you quickly produce high quality diagnostic images.

▶ Image Comparison View

Enables users to compare two images side-by-side from same study list.

▶ FMX View

Changes image orientation by simple drag and drop. Can also rotate image if necessary.



MyVet Dent, image comparison view

▶ Specifications

		EzSensor Vet
Model Number	Unit	HDI-S
Sensor Type	-	CMOS
Scintillator	-	FOS (FOP + CsI)
Pixel Size	µm	29.6
Pixel Array	Pixels	Binning Mode:1216x878
A/D	Bits	12
Waterproof		IP68
Energy Range	KvP	55 ~ 70
Data Output (Interface)	-	Direct USB (USB 2.0)
Input Voltage	V	DC 5V, 1 AMP
Dynamic Range	dB	≥ 67
Theoretical Resolution	lp/mm	16.8
Cable Length	ft	8.6

* Specifications subject to change without prior notice *

Scan the QR Code &
Check Our Website

Nuon Imaging Inc.



☎ (866) 455-3050
✉ info@nuonimaging.ca
🌐 www.nuonimaging.ca

Nikki Health Solutions Inc.



☎ (855) 500-5040
✉ info@nikki.health
🌐 www.nikki.health