

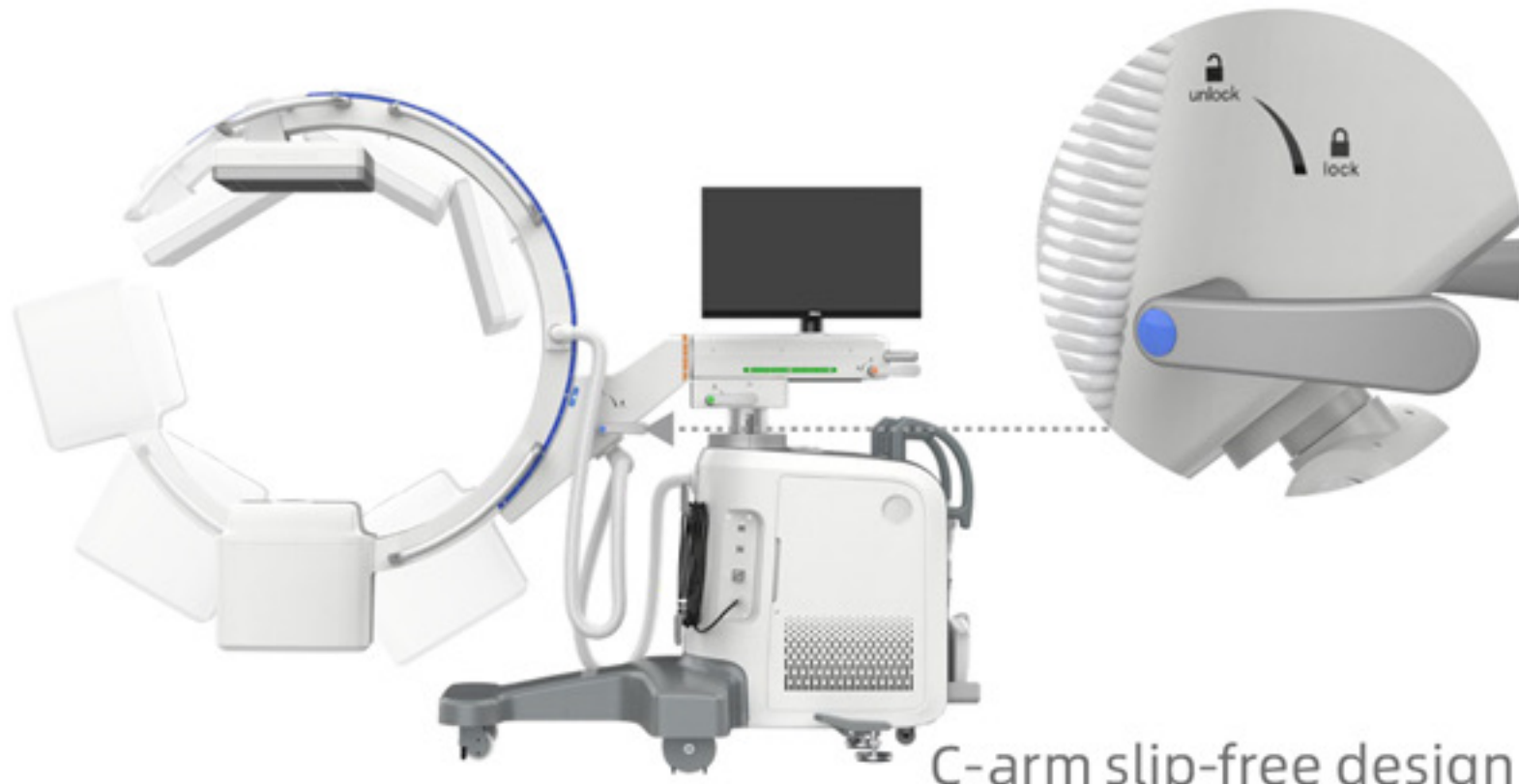


C-Arm Fluoroscopy



Medical Imaging Group





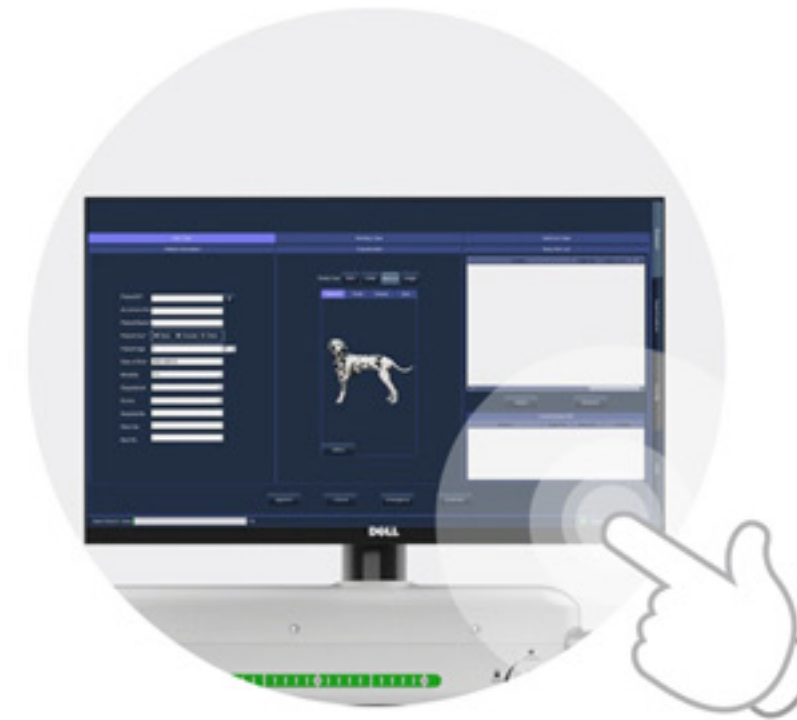
C-arm slip-free design
requires no repositioning



360° large rotating



Move back and forth dexterously
Get to the desired location quickly



Touch monitor
full touch operation



Smart movement



up/down



Left/Right

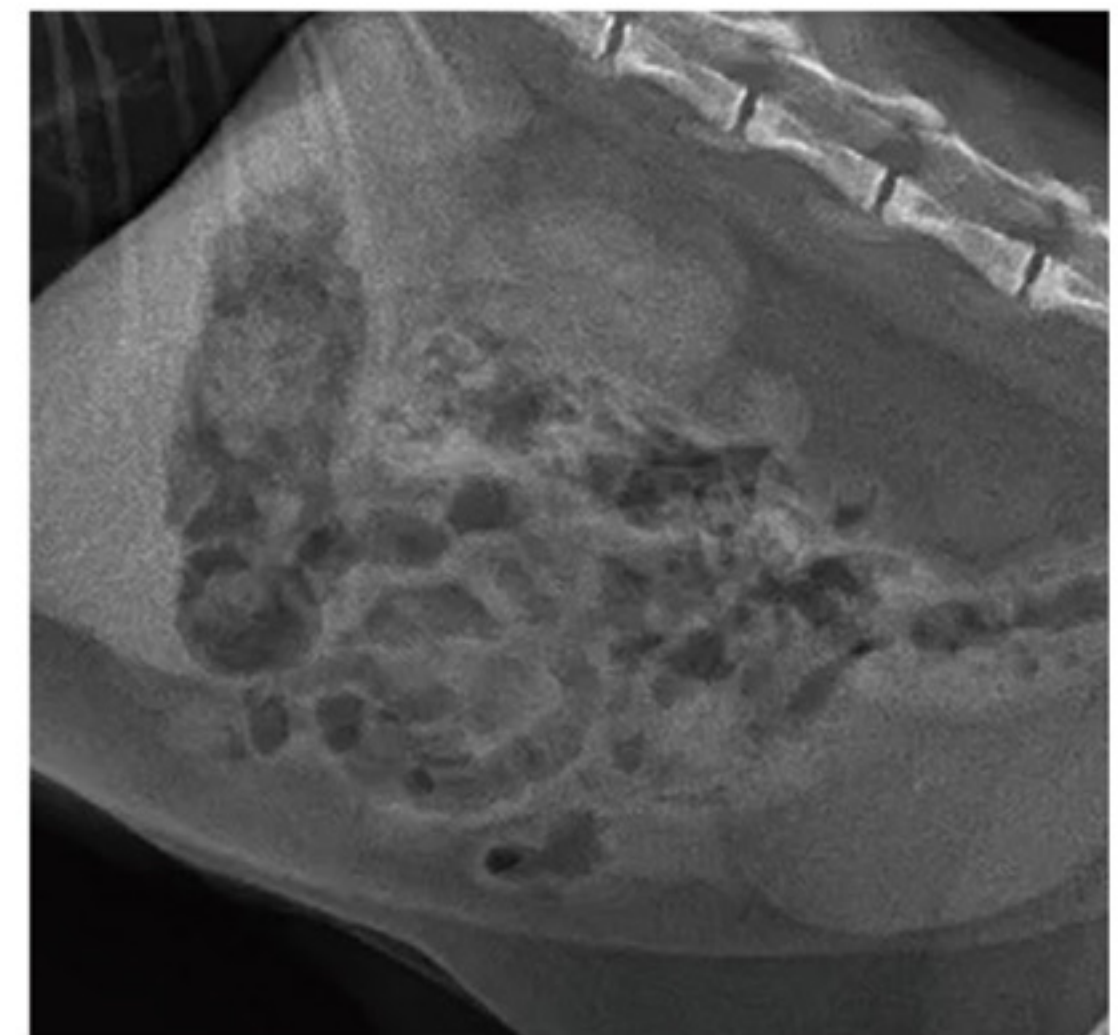
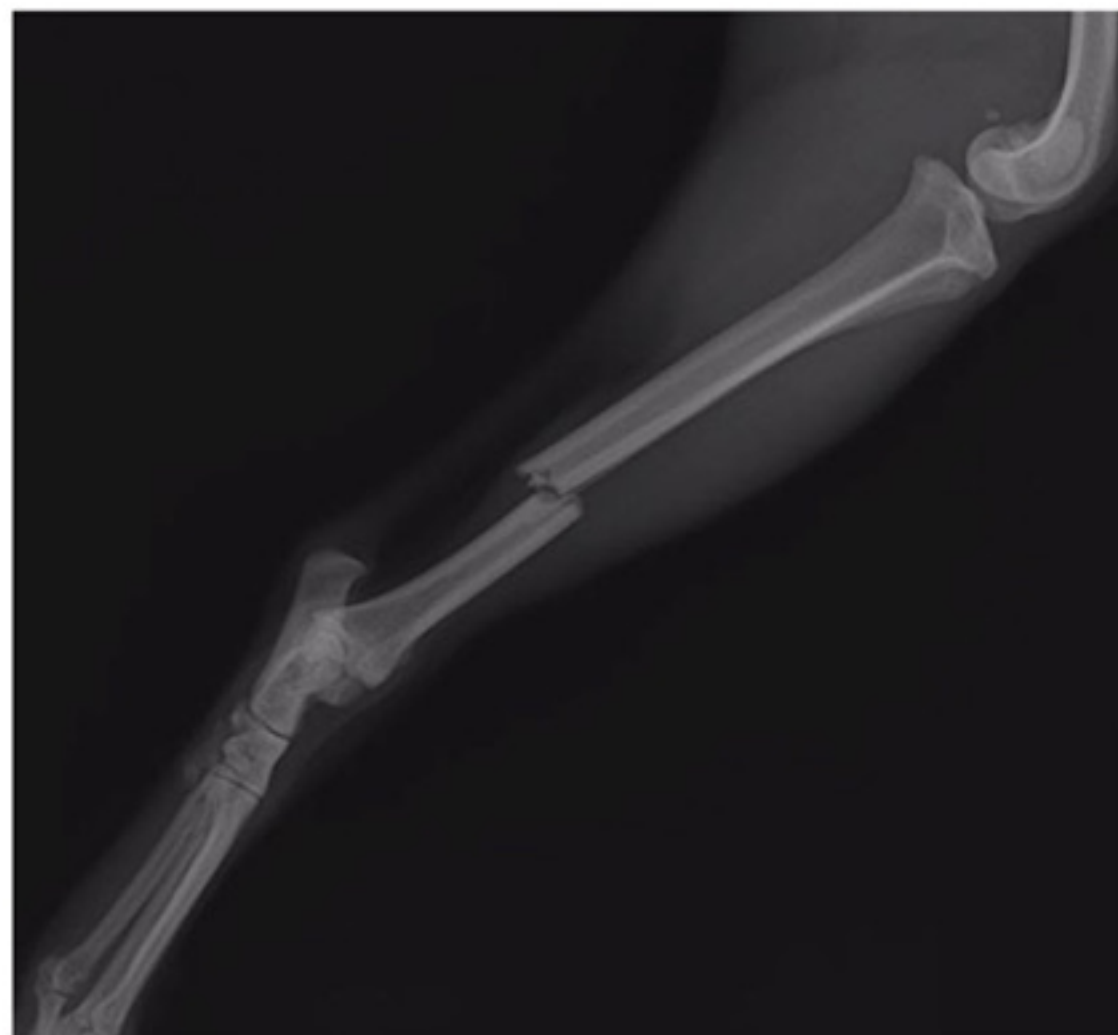
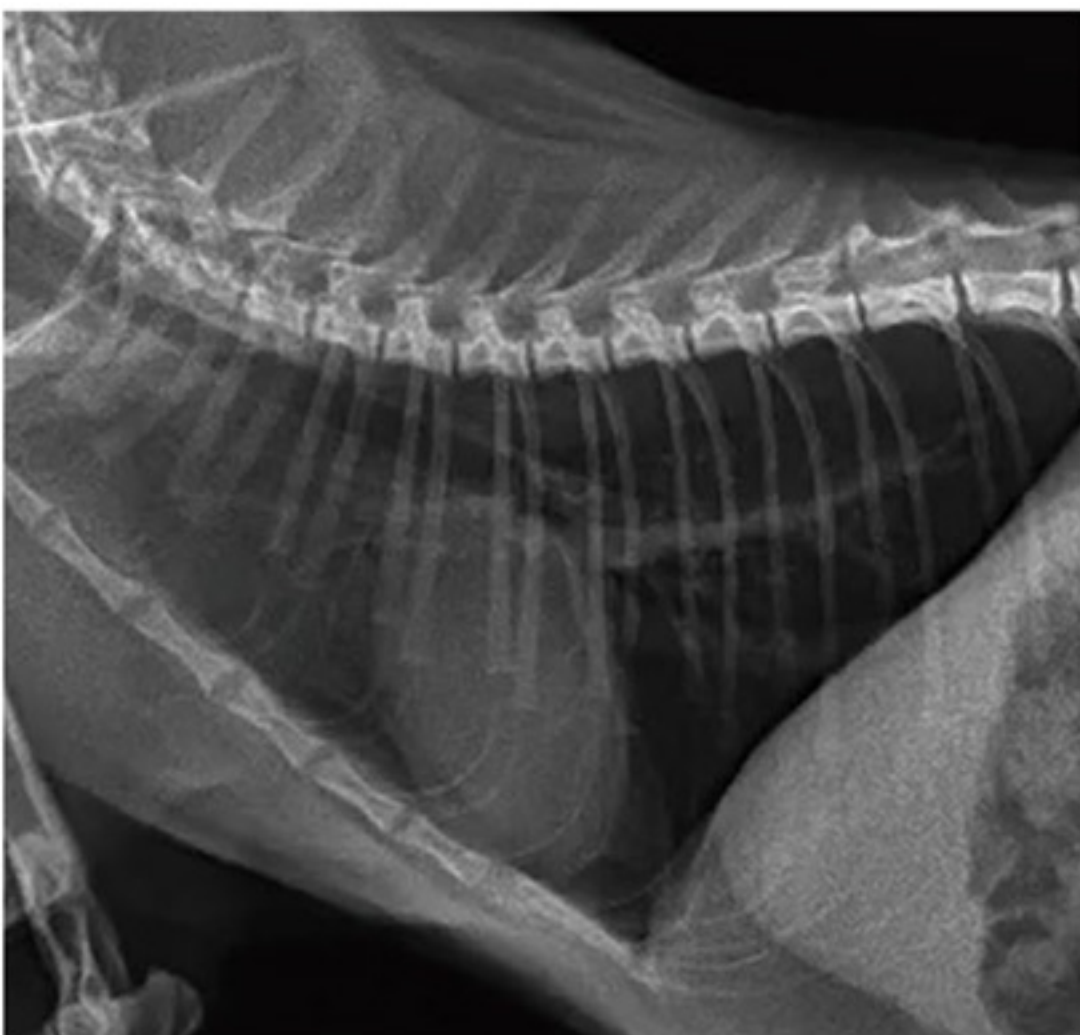


Wig/wag

► Application



► Clinical Image

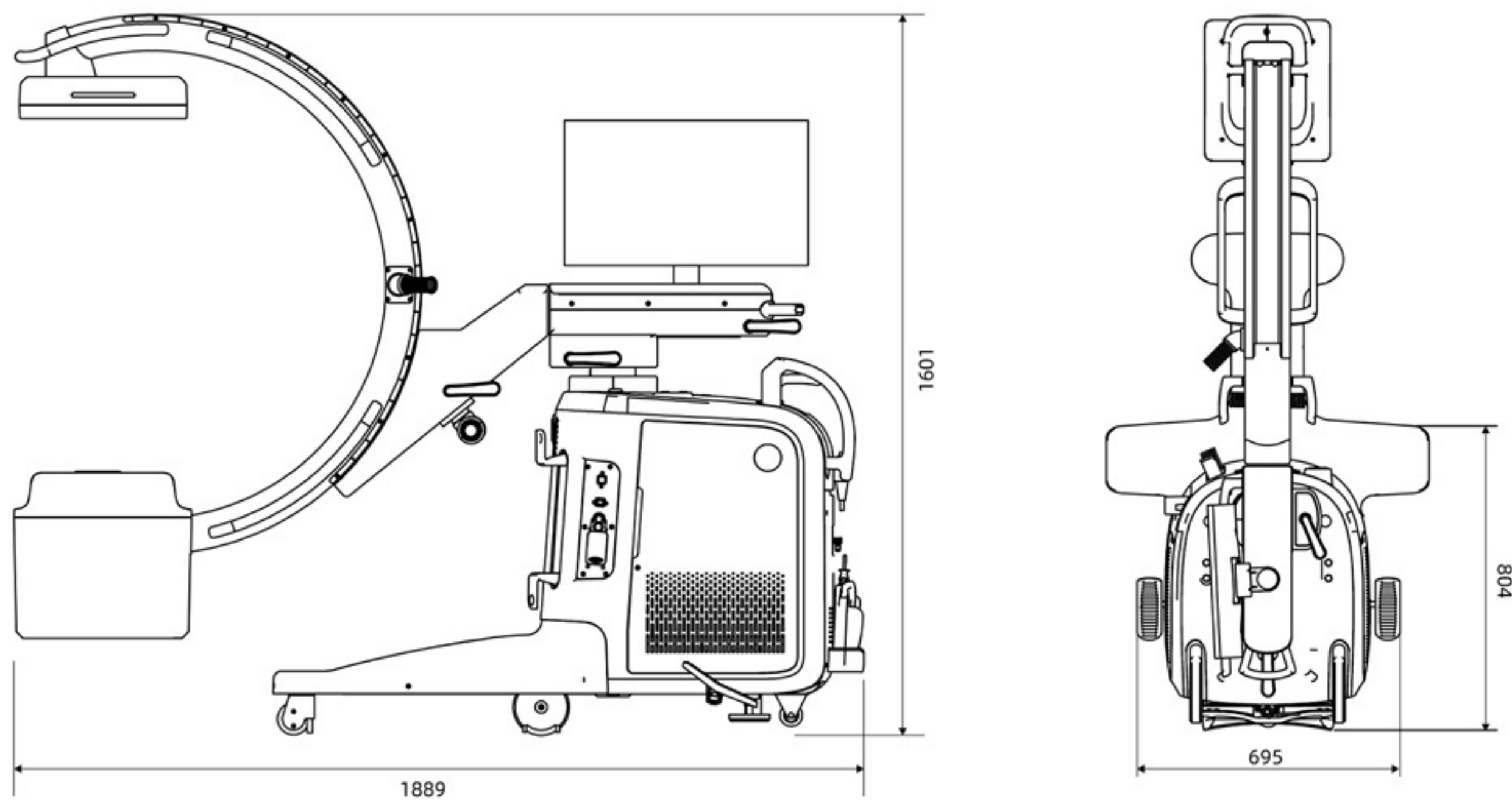


► Technical Parameters

Model	vCM605		
System Requirements		X-ray Tube	
Electric source (V)	AC 110 / 220	Type	Rotating
Power (kW)	5	Focal spots (mm)	0.3/0.6
Flat Panel Detector		Frame	
Type	Mercu0909F	Size (mm ³)	1889 x 1601 x 695
Spatial Resolution (lp/mm)	2.4	Weight (kg)	About 280
Pixel Matrix (pixels)	1024 x 1024	C-arm	
Pixel Pitch (µm)	205	SID (mm)	1000
Active area (mm ²)	210 x 210	Free space in arc (mm)	784
Data Interface	1G Ethernet	Depth in arc (mm)	640
Generator		Orbital rotation (°)	150 (117/-33)
KV range (kV)	Spot / Pulse 40~125	Lateral rotation (°)	360 (±180)
	Continuity 40 ~110	Wig/wag (°)	±15
mA range (mA)	Continuous:6.3	Horizontal travel (mm)	200
	Pulsed :32	Vertical travel (mm)	400
	Digital spot:100		
ms range (ms)	10-1600		
Mas range (mAs)	0.2-100		

► Dimention

(Unit: mm)



Scan the QR Code &
Check Our Website

Nuon Imaging Inc.



☎ (866) 455-3050
✉ info@nuonimaging.ca
🌐 www.nuonimaging.ca

Nikki Health Solutions Inc.



☎ (855) 500-5040
✉ info@nikki.health
🌐 www.nikki.health